

# GoodWe HomeKit Application



GoodWe HomeKit is a solution designed to monitor load energy consumption in real time, 24 hours a day. Based on best design principles, the HomeKit is tailored to homeowners' needs and only requires an internet connection. It consists of a smart meter and a Wi-Fi / LAN communication module. An additional advantage of GoodWe HomeKit is that it can be applied to grid-connected systems with inverters of any brand or even systems without PV and it is a key component in keeping load consumption records. With 60-second update frequency, data is transmitted by Wi-Fi / LAN and stored on the cloud. End users benefit from a better understanding of their electricity consumption and the source from which it is generated. Moreover, if used together with a GoodWe inverter, HomeKit can limit the power exported to the grid.



24/7 Real-time  
Consumption Monitoring



Double CT Design - Super  
Accurate Measurement



Work with Inverters  
of Any Brand



Export Power  
Control

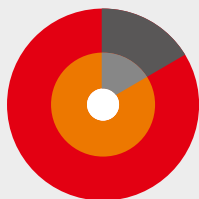


Can be Utilized in  
Households without PV

## 24-Hour Real-time Consumption Monitoring

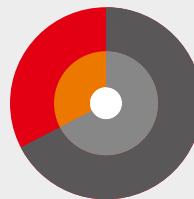
HomeKit offers 24-hour real-time consumption control. With the assistance of GoodWe monitoring platform, HomeKit can calculate self-consumption levels per day, month or year, providing a comprehensive overview of load consumption and the general efficiency achieved in the use of solar energy. Furthermore, the power consumption of the HomeKit itself is negligible, saving on additional electricity costs.

**PV Generation: 15.1 kWh**



- Use of PV for self-consumption (83.4%)
- Energy exported to the grid (16.6%)

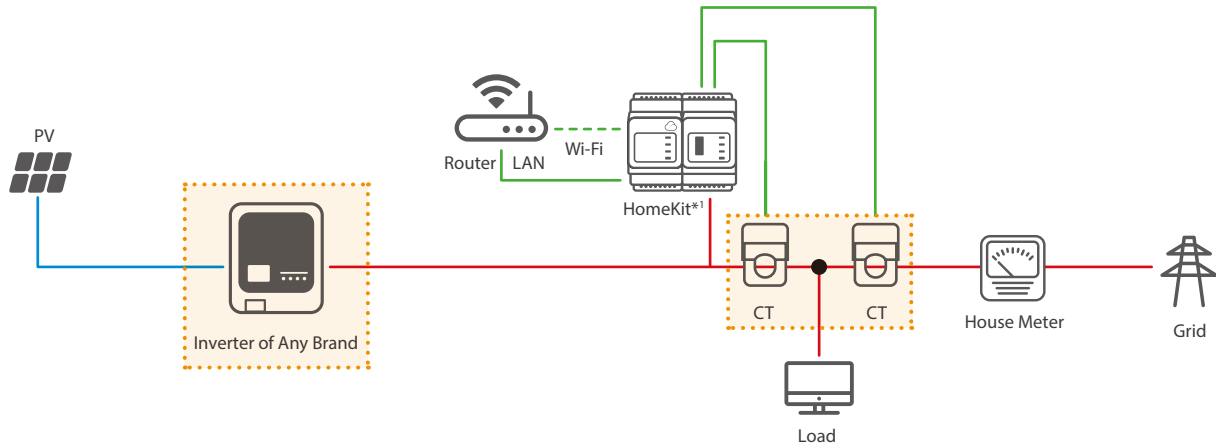
**Loads Consumption: 38.7 kWh**



- Use of PV for self-consumption (32.6%)
- Energy imported from the grid (67.4%)

## Double CT Design - Super Accurate Measurement

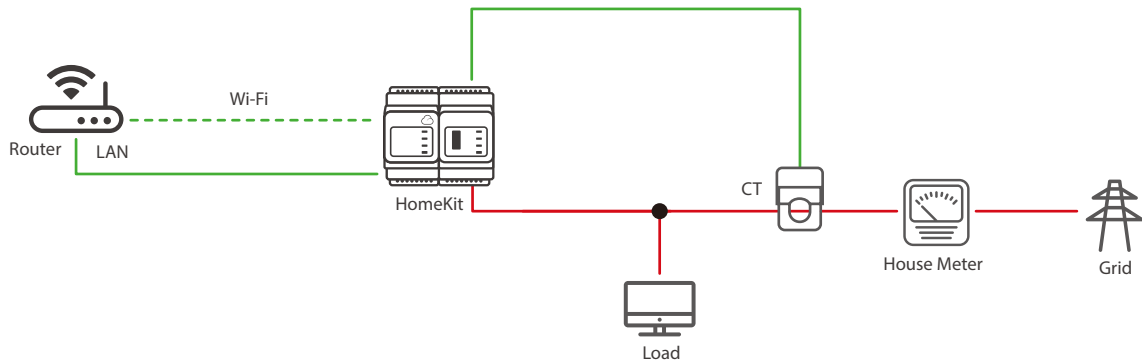
GoodWe HomeKit is designed to connect with two CTs (Current Transformer), which can measure the inverter side and the grid side at the same time to ensure maximum accuracy with less than 1% error rate.



<sup>1</sup>The current version of HomeKit supports single-phase systems. An upgraded version that supports three-phase systems will be available in the near future.

## GoodWe HomeKit for Households without PV

GoodWe HomeKit can also be applied to systems without PV. By simply connecting to the internet, GoodWe HomeKit Solution can carry out consumption monitoring in real time, helping users achieve a better understanding of electricity consumption at home and assess the concrete benefits of a potential PV installation.



MODEL		HK1000
Application		Household Loads Monitoring
Voltage	Rated Voltage	110V, 230V
	Voltage Range	100Vac~240Vac
	Frequency	50Hz/60Hz
Current Input	Rated Current	CT in: 120A/40mA
	Current Range	0.48A~120A
Self-consumption		<5W
Data Detection		Active Power/Reactive Power/Power Factor/Frequency
Energy Calculation		Active/Reactive Power Energy
Precision	Voltage/Current	Class 1
	Active Power	Class 1
	Reactive Power	Class 2
Communication		Wi-Fi or LAN
Interface		3 LED (Power, Energy Consumption, Communication), USB Port, Reset Button
Mechanical Parameters	Size (L*W*H)	36*85*66.5mm
	Weight	440g
	Protection Class	IP20 (For Indoor Use)
	Installation Method	Mounting Rack
Operating Temperature		-25 ~ +60°C
Operating Humidity		<95%, No Condensation
Altitude		<2000m