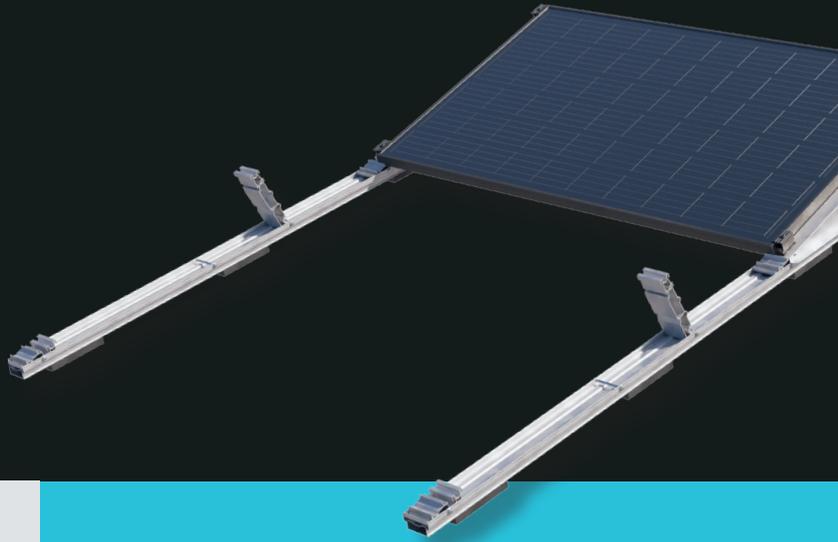


rofast[®]

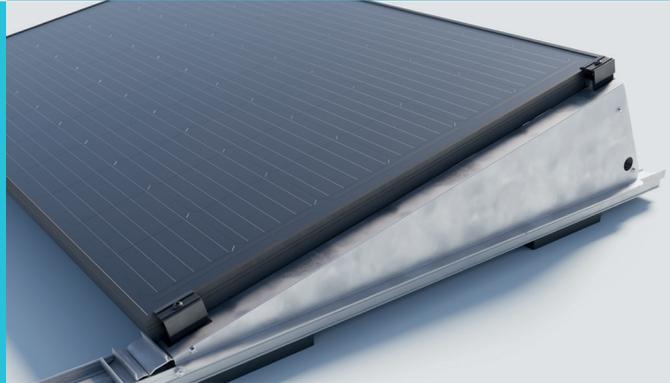
Quality and speed for flat roofs

RoFast is a mounting system for flat roofs that is specifically designed for installers of solar panels. RoFast consists of a minimum number of components, is delivered fully ready-assembled, is completely connected and is available in a south and an east-west setup.



- ✓ Made entirely of aluminium/stainless steel
- ✓ Completely preassembled
- ✓ Fully connected
- ✓ Low ballast
- ✓ Angle 12.5°

- ✓ Panel size 1645–2144 mm
- ✓ Panel width 990–1070 mm
- ✓ Single profile 1200 mm
- ✓ Wider panels, panel width 1071–1150 mm
- ✓ Start profile two panels, intermediate profile one panel
- ✓ Different panel dimensions? Just get in touch.

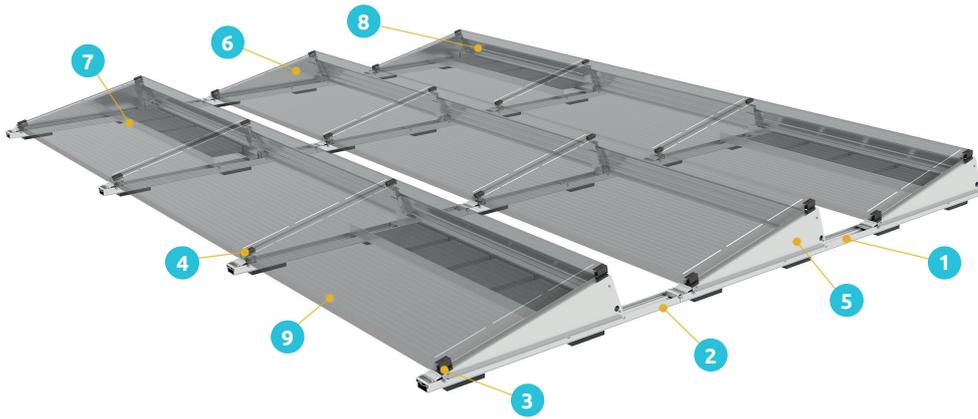


blubase[™]

WANT MORE INFO?

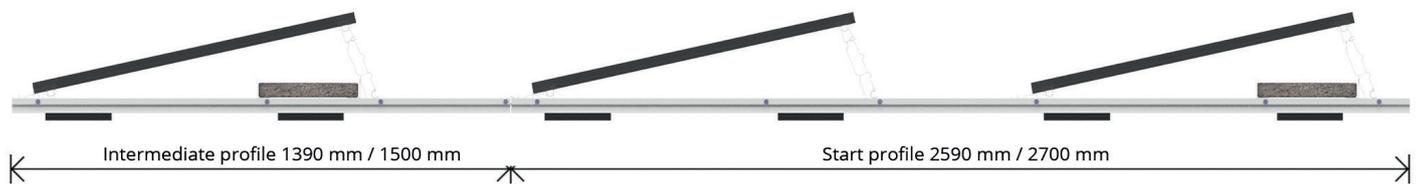
Call us on +31 (0)85 8000 501
or email info@blubase.com

Layout and components



- 1 Start profile south
- 2 Intermediate profile south
- 3 End clamp
- 4 Intermediate clamp
- 5 Side panel right (optional)
- 6 Side panel left (optional)
- 7 Ballast carrier
- 8 Back plate
- 9 Solar panel

Panel width 990–1070 mm



Panel width 1071–1150 mm

