

Hi-MO X6^{Max} Artist

LR7-60HTB

500~520M

- Suitable for Distribution Market
- Pure black for extreme elegance
- Better energy generation performance
- Better product warranty, better service



25-year Warranty for
Materials and Processing



25-year Warranty for Extra
Linear Power Output

Complete System and Product Certifications

IEC 61215, IEC 61730

ISO9001:2015: ISO Quality Management System

ISO14001: 2015: ISO Environment Management System

ISO45001: 2018: Occupational Health and Safety

IEC62941: Guideline for module design qualification and type approval

LONGI



CE

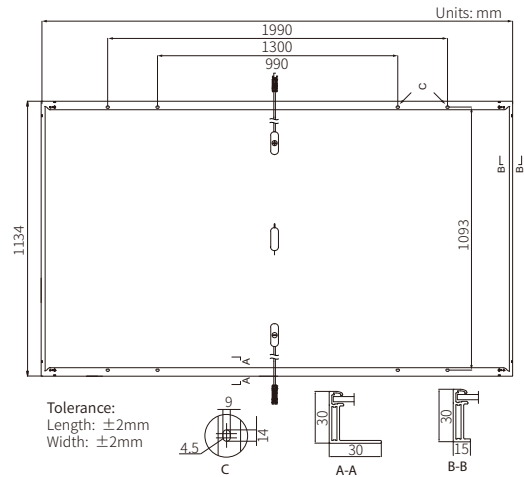
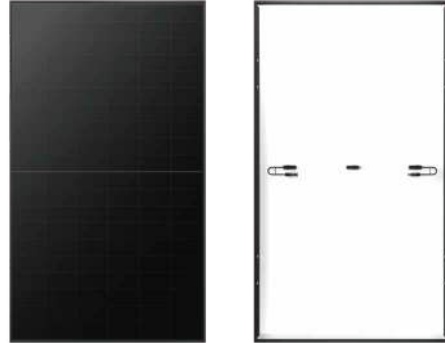
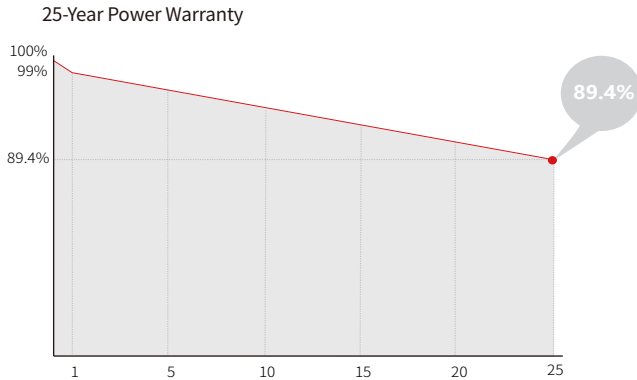
23.0%
MAX MODULE
EFFICIENCY

0~3%
POWER
TOLERANCE

<1%
FIRST YEAR
POWER DEGRADATION

0.40%
YEAR 2-25
POWER DEGRADATION

Additional Value



Mechanical Parameters

Cell Orientation	120 (6×20)
Junction Box	IP68
Output Cable	4mm ² , $\pm 1400\text{mm}$ length can be customized
Glass	Single glass, 3.2mm coated tempered glass
Frame	Anodized aluminum alloy frame
Weight	24.8kg
Dimension	1990×1134×30mm
Packaging	36pcs per pallet / 180pcs per 20' GP / 792pcs per 40' HC

Electrical Characteristics

STC : AM1.5 1000W/m² 25°C NOCT : AM1.5 800W/m² 20°C 1m/s Test uncertainty for Pmax: $\pm 3\%$

Module Type	LR7-60HTB-500M		LR7-60HTB-505M		LR7-60HTB-510M		LR7-60HTB-515M		LR7-60HTB-520M	
	STC	NOCT	STC	NOCT	STC	NOCT	STC	NOCT	STC	NOCT
Maximum Power (Pmax/W)	500	373.6	505	377.3	510	381.0	515	384.8	520	388.5
Open Circuit Voltage (Voc/V)	43.50	40.84	43.70	41.03	43.90	41.22	44.10	41.41	44.30	41.59
Short Circuit Current (Isc/A)	14.63	11.81	14.70	11.87	14.76	11.92	14.82	11.97	14.88	12.01
Voltage at Maximum Power (Vmp/V)	36.64	33.44	36.84	33.62	37.04	33.80	37.24	33.99	37.44	34.17
Current at Maximum Power (Imp/A)	13.65	11.19	13.71	11.23	13.77	11.28	13.83	11.33	13.89	11.39
Module Efficiency(%)	22.2%		22.4%		22.6%		22.8%		23.0%	

Operating Parameters

Operational Temperature	-40°C ~ +85°C
Power Output Tolerance	0 ~ 3%
Maximum System Voltage	DC1500V (IEC)
Maximum Series Fuse Rating	25A
Nominal Operating Cell Temperature	45 \pm 2°C
Protection Class	Class II
Fire Rating	IEC Class C

Mechanical Loading

Front Side Maximum Static Loading	5400Pa
Rear Side Maximum Static Loading	2400Pa
Hailstone Test	25mm Hailstone at the speed of 23m/s

Temperature Ratings (STC)

Temperature Coefficient of Isc	+0.050%/°C
Temperature Coefficient of Voc	-0.230%/°C
Temperature Coefficient of Pmax	-0.280%/°C